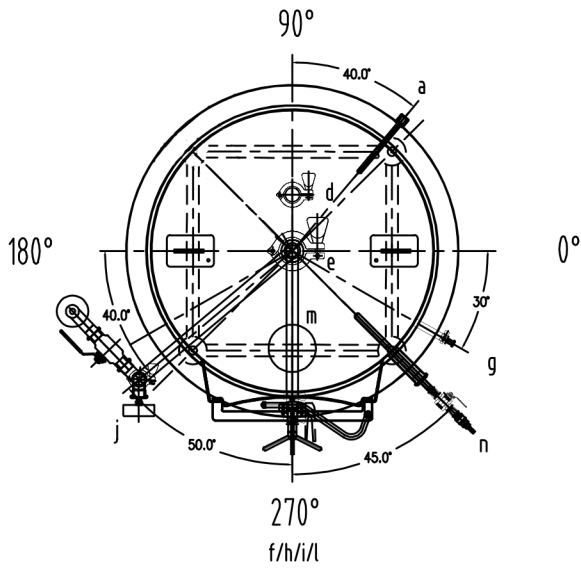
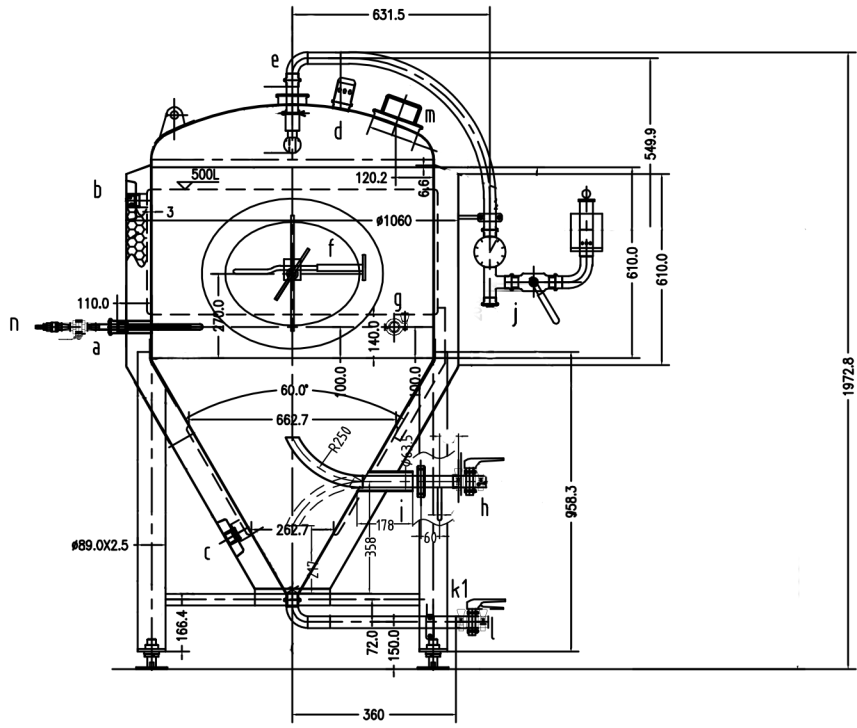


HCH05-0



pipng sheet

item	size	connect size	connect code	connect type	function
a	1/2"	Ø12.7×1.5-200	NPT	inner screw	Thermowell
b	1"			inner screw	Glycol port
c	1"			inner screw	Glycol port
d	2"	Ø50.8×1.5-21.5	ISO	clamp	PVRV
e	3.5"	Ø88.9×2-30	ISO	clamp	CIP Takeover
f	430X330	480×580×5			Manway
g	1.5"	Ø38.1×1.5-110	ISO	clamp	Sample valve
h	1.5"	Ø38.1×1.5	ISO	clamp	Beer outlet
i	2.5"	Ø63.5×2-120	ISO	clamp	Racking arm takeover
j	1.5"	Ø38.1×1.5	ISO	clamp	CIP Inlet
l	1.5"	Ø38.1×1.5	ISO	clamp	Beer inlet
m	4"		ISO	clamp	Hop port
n	1.5"	Ø38.1×1.5-110	ISO	clamp	CO2 Inlet

5HL Fermenter	HCH05-0			