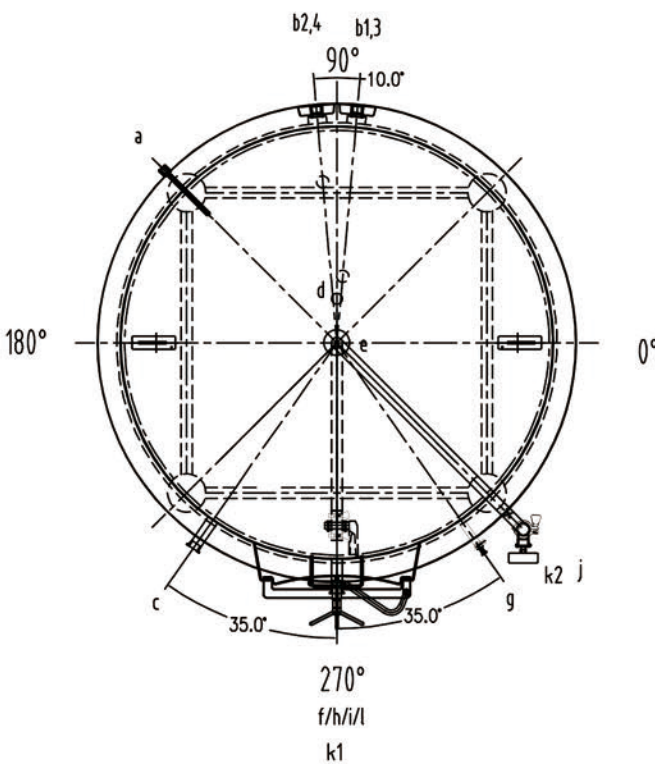


pipng sheet

item	size	connect size	connect code	connect type	function
a	1/2"	Ø12.7X1.5-200	NPT	inner screw	Thermowell
b1-4	NPT1.5"		NPT	inner screw	glycol
c	1.5"	Ø38.1X1.5-110	ISO	clamp	CO2 outlet
d	1.5"	Ø38.1X1.5	ISO	clamp	PBV
e	3.5"	Ø88.9X2-90	ISO	clamp	CIP take over
f	430X330	480X580X3			Pressure manway
g	1.5"	Ø38.1X1.5-110	ISO	clamp	sample valve
h	Ø1/40				beer outlet
i	2.5"	Ø63.5X2-140	ISO	clamp	take over
j	Ø1/40				CIP
k1, 2	3/8"	Ø10X1.5	ISO	clamp	rubber pipe
l	Ø1/40				beer inlet



ITEM	CODE	NAME	QTY	MATERIAL	SINGLE WEIGHT	TOTAL WEIGHT	REMARKS
10		butterfly valve 15"	2	304			
9		pressure gage 15"	1	304			
8		lifting lug	2	304			
7	GB/T25198-2010	THA Ø1500X4	1	304			
6		insulation layer t=80	1	PU			
5		subplate t=3	4	304			
4		jacket t=15	2	304			
3		outer skin t=2	1	304			
2		pipe Ø38.1X1.5	4	304			
1		leg	4	304			

REVISION	DATE	BY	CHKD	SCALE
1				1:1

DRAWING

3000L UNI TANK
HCH030-0

PAGE NO 1

REGISTER
TRACING
RECORDED
CODE
SIGN
DATE